

# Optimum 4-Point Mortice Lock



ASSA ABLOY

ASSA ABLOY, the global leader  
in door opening solutions.



The Lockwood Optimum Mortice Lock offers a new and improved locking system with enhanced furniture options available. When deadlocked, the Optimum 4-Point provides increased security with up to four points of locking. The shootbolt provides added security and seal compression, designed specifically for the New Zealand environment. See reverse for handle operation.

## Features

- Upgraded furniture option (Palladium Xtra) with LockAlert indicator which shows at a glance if the door has been deadlocked
- Upgraded furniture also comes with snib option for at home security, enabling easy exit if required
- Features four points of locking including the latch, deadbolt and shootbolts
- Sequencing of locking points can be in any order (can be locked with or without shootbolts thrown)
- When used with the correct strike the lock generates optimum seal compression to provide improved water and air seal performance, especially for large panel doors
- The handing of the lockset is adjusted by reversing the orientation of the latch bolt
- Standard kits are supplied with furniture and keyed cylinder
- Can be keyed alike to other ASSA ABLOY CYL4™ 5-Pin locks for one key convenience
- New Zealand made

## Options

- Available with 30mm, 40mm or 50mm backset
- Short Throw 4-Point
- Long Throw 4-Point
- Available with standard Verona and Palladium furniture or upgrade to Palladium Xtra with LockAlert and safety snib (pictured)
- Double cylinder, cylinder and turnknob, half cylinder or half turnknob



# Optimum

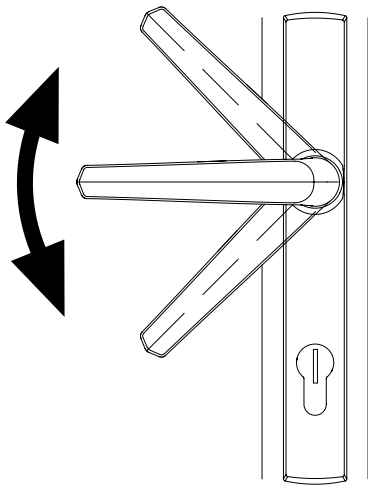
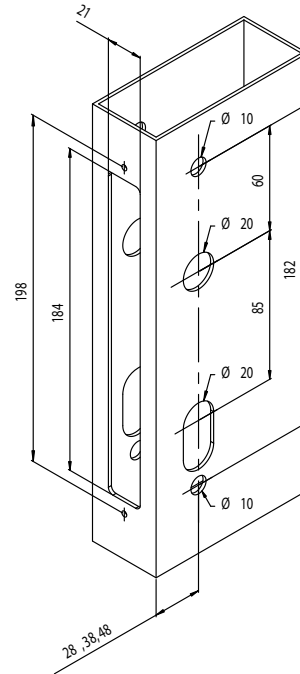
## 4-Point Mortice Lock



ASSA ABLOY



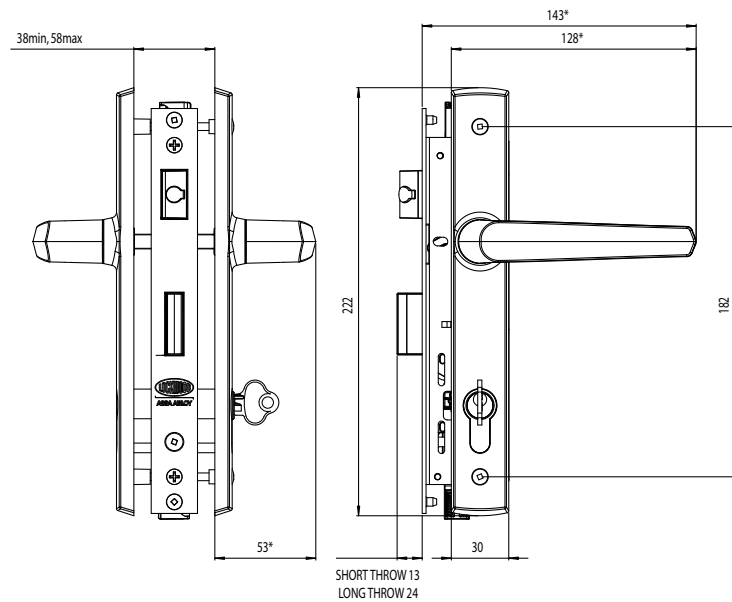
Palladium  
Xtra Furniture  
pictured



### HANDLE OPERATION

#### Function:

1. To lock - turn key towards edge of door
2. To unlock - turn key away from edge of door
3. To throw shootbolts - lift handle up and release lever (either when locked or unlocked)
4. To retract shootbolts, ensure lock is unlocked. Push lever down and release



\* Dimensions shown are specific to Aria lever. Other styles may vary.

RES-FLY-001 03.09.12